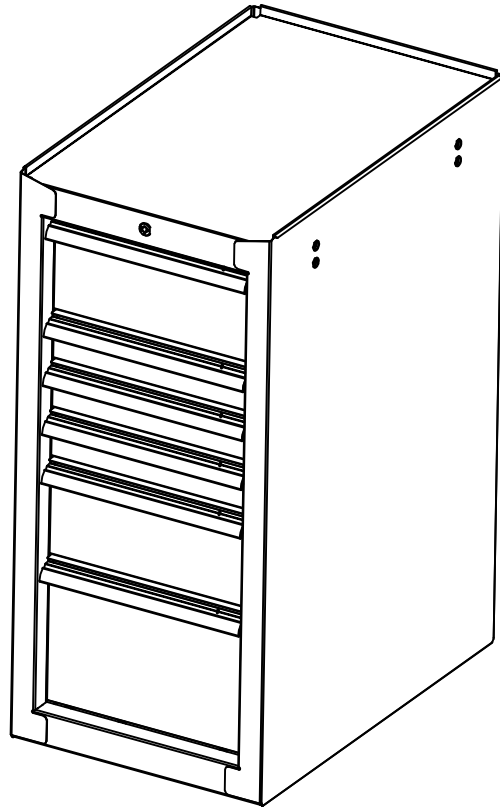
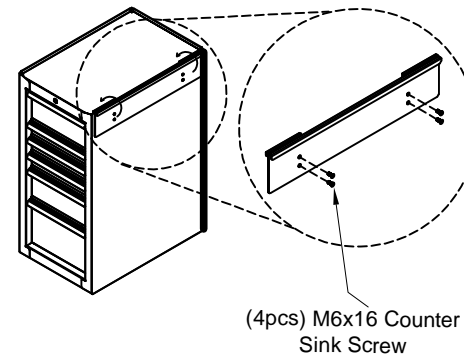


# 6-Drawer Side Cabinet Manual



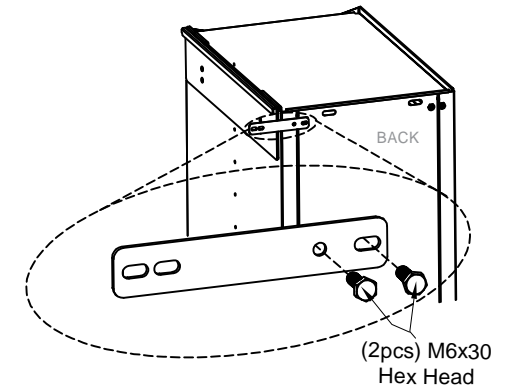
**■ FIRST**  
INSTALL HOOKS

Simply position the hooks over the top edge on your side cabinet( included in the product) and attach with the bolts provided. Tighten securely.



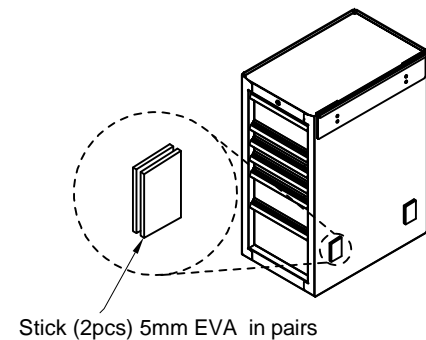
**■ SECOND**  
INSTALL CONNECTING CHANNEL

Position the connecting channels on the back of the side cabinet and attach with the bolt provided.



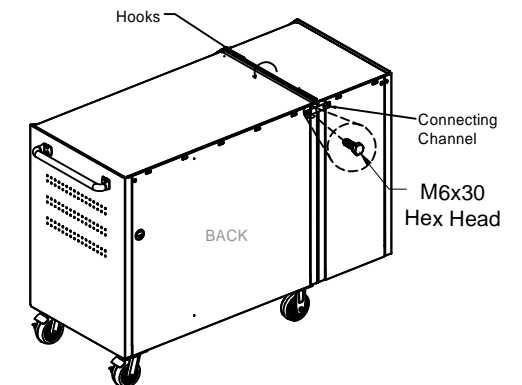
**■ THIRD**  
PASTE THE EVA PADS

Stick two EVA pads in pairs, then paste the processed EVA pads on the right side of the side cabinet.



**■ FOURTH**  
HANG THE SIDE CABINET

Hang the side cabinet on the rolling cabinet and connect with the bolt provided.



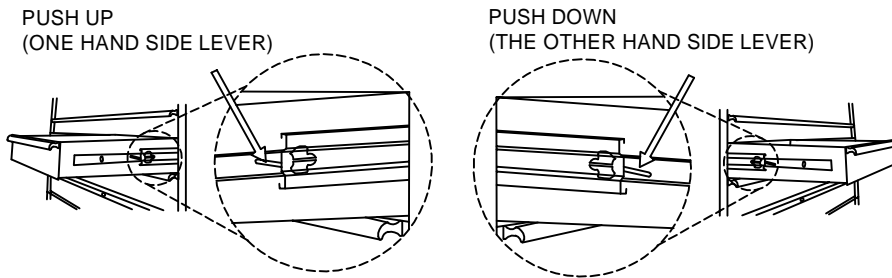
**CAPACITIES**

- The maximum load that can be placed in each single side drawer is 100 lbs.
- The maximum load for the side cabinet is 700 lbs.

## TO REMOVE AND REPLACE DRAWERS

### TO REMOVE DRAWERS

Pull drawer out so it's almost fully extended.  
 Push up one hand black release lever, While pulling down the other hand black release lever.  
 While holding the levers in the positions as instructed above, pull the drawer outward until it is released from the drawer slide.

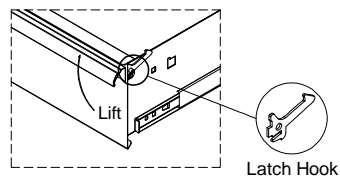


### TO REPLACE DRAWERS


Extend the drawer slides from the tool chest.  
 Insert the brackets on each side of the drawer into the slots in the cabinet slides, being careful that they are properly positioned.  
 Once properly inserted, completely close the drawer to set the slides in their proper positions.

### RAISE AND RELEASE DRAWER FRONTS:

These units are equipped with the raise and release drawer fronts.  
 To open, lift up on the drawer front while pulling towards you.  
 To close, shut the drawer firmly until the latch engages.  
 If the drawer does not stay closed, the hook may be bent, or it may rub against the drawer slides.  
 To fix this problem, lightly bend the hook until the drawer will engage in the slide.



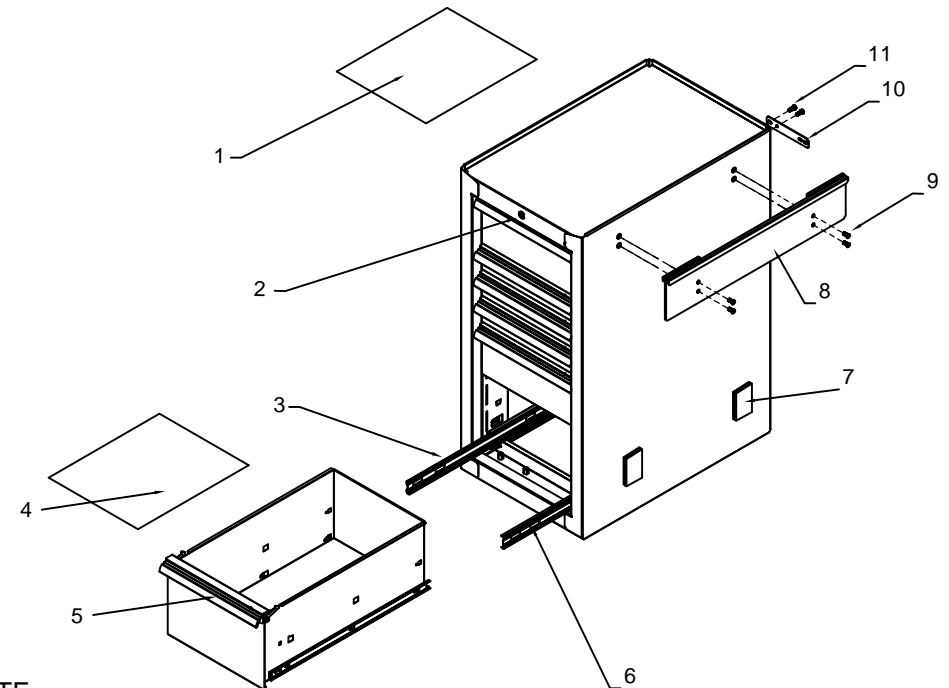
## PARTS LIST

 " The keys are taped to the first drawer of the cabinet."

Ref#	Description	Part#	QTY
* 1	Top Liner	552349	1 pc
** 2	Lock	304071	1 pc
3	Slide(L)	300176	6 pcs
*** 4	Drawer Liner	552337	6 pcs
**** 5	Drawer Pull	3011015	6 pcs
6	Slide(R)	300177	6 pcs
7	EVA Pad	600100	4 pcs
**** 8	Hook	118102	1 pc
9	M6x16 Counter Sink Screw	320052	4 pcs
10	Connecting Channel	236365	1 pc
11	M6x16 Hex Head	321023	3 pcs

### Numbers of colored parts:

Description	White	Green
* Top Liner	552349	552351
** Lock	304071	304072
*** Drawer Liners	552337	552011
**** Drawer Pull	3011015	301241
***** Hook	118102-520	118102-517



### NOTE

1. Replacement keys may be ordered, the code which appears on the face of the lock required.
2. Give the information for spare parts: part number, and quantity.