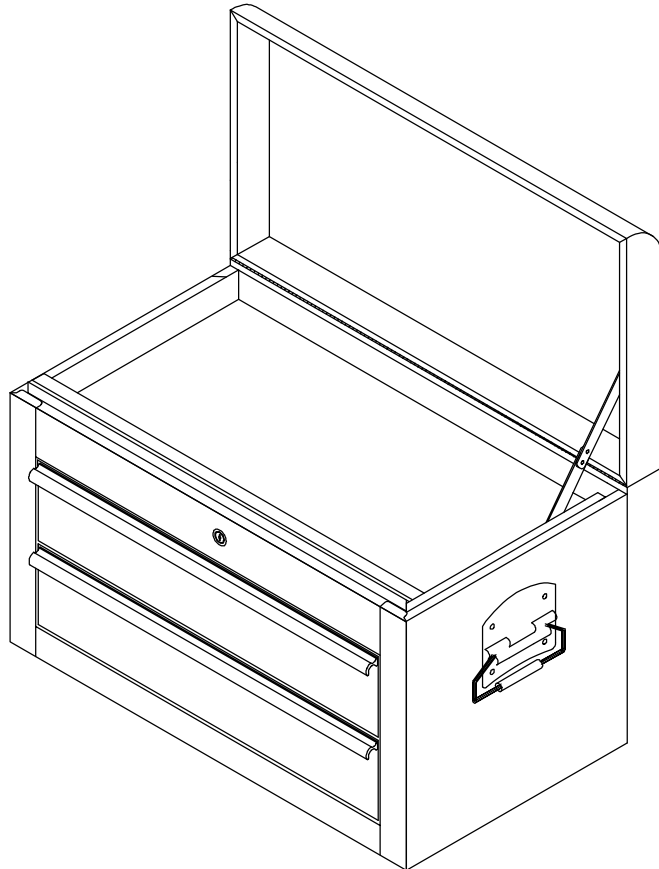


# Steel Chest Manual



. 1 .

## TO REMOVE AND REPLACE DRAWERS

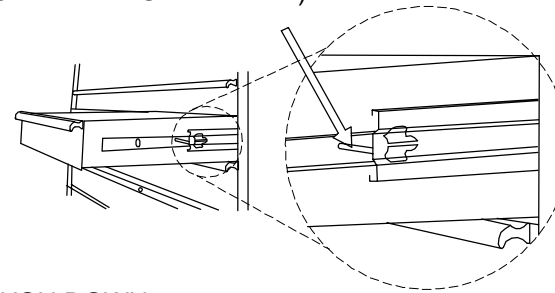
### TO REMOVE DRAWERS

Pull drawer out so it's almost fully extended.

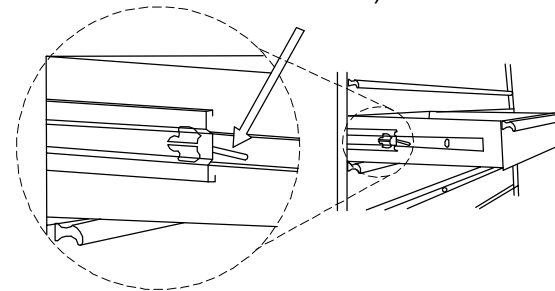
Push up one hand black release lever, While pulling down the other hand black release lever.

While holding the levers in the positions as instructed above, pull the drawer outward until it is released from the drawer slide.

### PUSH UP (ONE HAND SIDE LEVER)



### PUSH DOWN (THE OTHER HAND SIDE LEVER)



### TO REPLACE DRAWERS


Extend the drawer slides from the tool chest.

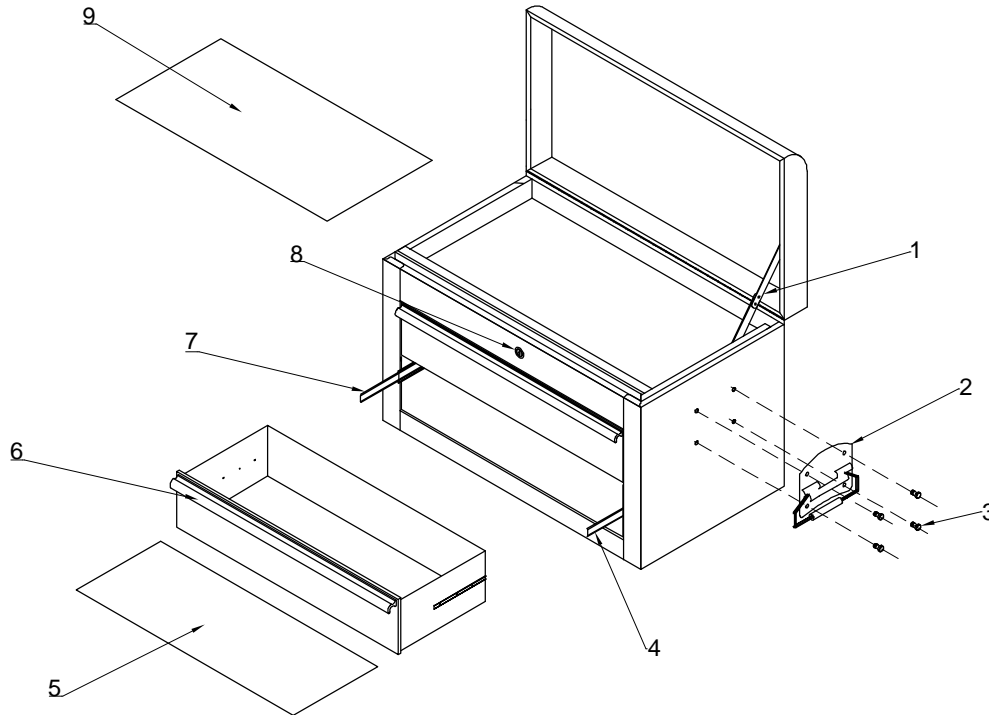
Insert the brackets on each side of the drawer into the slots in the cabinet slides, being careful that they are properly positioned.

Once properly inserted, completely close the drawer to set the slides in their proper positions.

. 2 .

# Chest

 " The keys are taped to the top storage area of the chest."



## PARTS LIST

Ref#	Description	Part#	Qty
1	Mechanism Strut	303041	1 pc
2	Chest Handle	306001	2 pcs
3	M6x12 Hex Bolt	321051	8 pcs
4	Slide(R)	300034	2 pcs
*5	Drawer Liner(Black)	550217	2 pcs
6	Drawer Pull	301012	2 pcs
7	Slide(L)	300033	2 pcs
** 8	Lock(Black)	304071	1 pc
*** 9	Till Liner(Black)	550499	1 pc

### NOTE

1. Replacement keys may be ordered, the code which appears on the face of the lock required.
2. Give the information for service parts: part number, and quantity.
3. Numbers of colored parts:

Description	Blue	Orange	Yellow	Green	Pink	Black/White
* Drawer Liners	550769	550770	550771	550219	550455	550217
** Locks	304076	304077	304078	304072	304070	304071
*** Till Liners	550772	550773	550774	550663	550456	550499