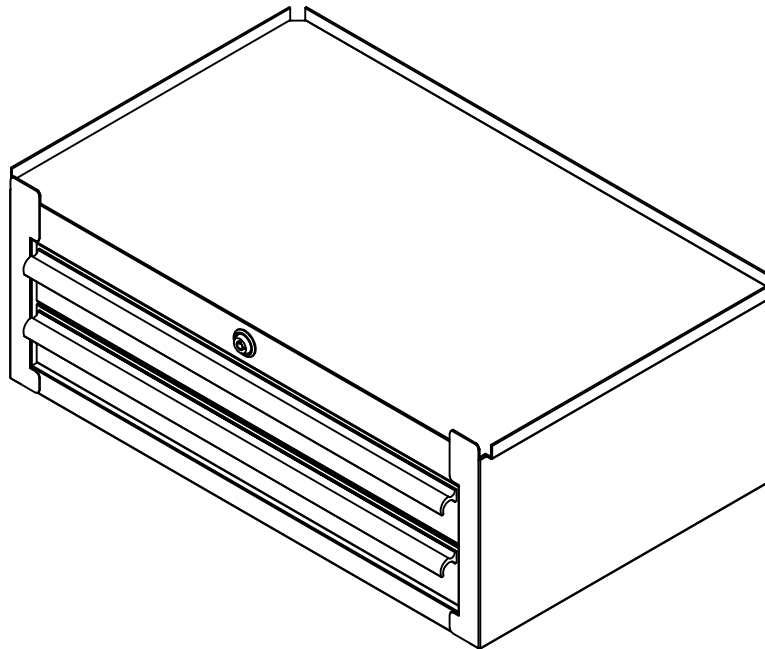


Steel Intermediate Box Manual

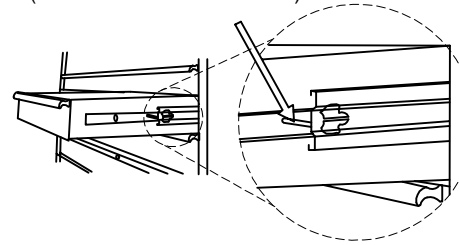


TO REMOVE AND REPLACE DRAWERS

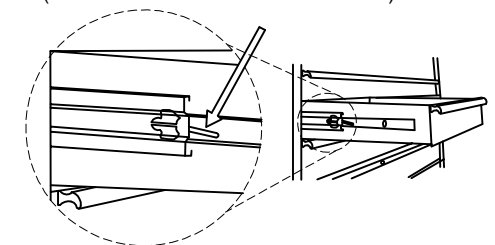
TO REMOVE DRAWERS

Pull drawer out so it's almost fully extended.
 Push up one hand black release lever, While pulling down the other hand black release lever.
 While holding the levers in the positions as instructed above, pull the drawer outward until it is released from the drawer slide.

PUSH UP
 (ONE HAND SIDE LEVER)



PUSH DOWN
 (THE OTHER HAND SIDE LEVER)

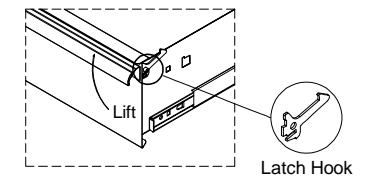


TO REPLACE DRAWERS

Extend the drawer slides from the tool chest.
 Insert the brackets on each side of the drawer into the slots in the cabinet slides, being careful that they are properly positioned.
 Once properly inserted, completely close the drawer to set the slides in their proper positions.

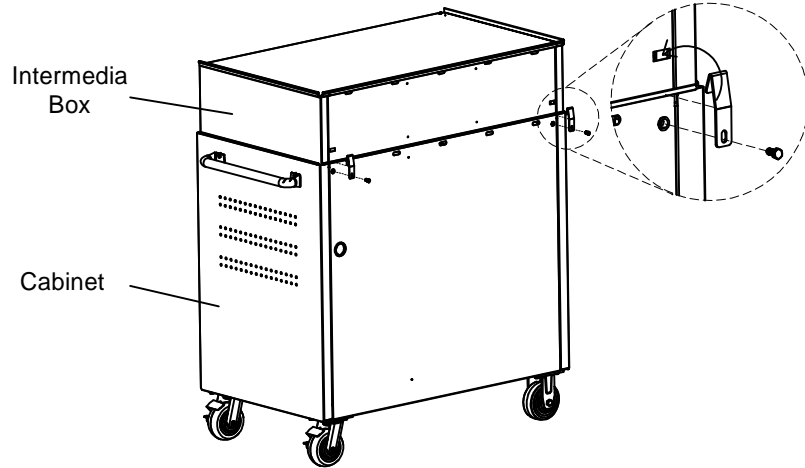
RAISE AND RELEASE DRAWER FRONTS:

These units are equipped with the raise and release drawer fronts.
 To open, lift up on the drawer front while pulling towards you.
 To close, shut the drawer firmly until the latch engages.
 If the drawer does not stay closed, the hook may be bent, or it may rub against the drawer slides.
 To fix this problem, lightly bend the hook until the drawer will engage in the slide.



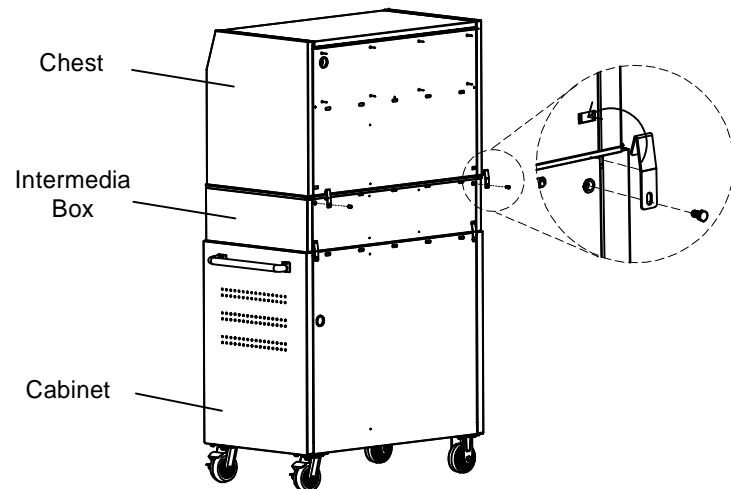
INTERMEDIATE BOX AND CABINET CONNECTION:

Place the intermediate box on the cabinet;
Attach the connectors and make sure the hook head snapping in the square hole on the back of the intermediate box, then fasten the screws to the cabinet.




CHEST AND INTERMEDIATE BOX CONNECTION:

Place the chest on the intermediate box ;
Attach the connectors and make sure the hook head snapping in the square hole on the back of the chest, then fasten the screws to the intermedia box.



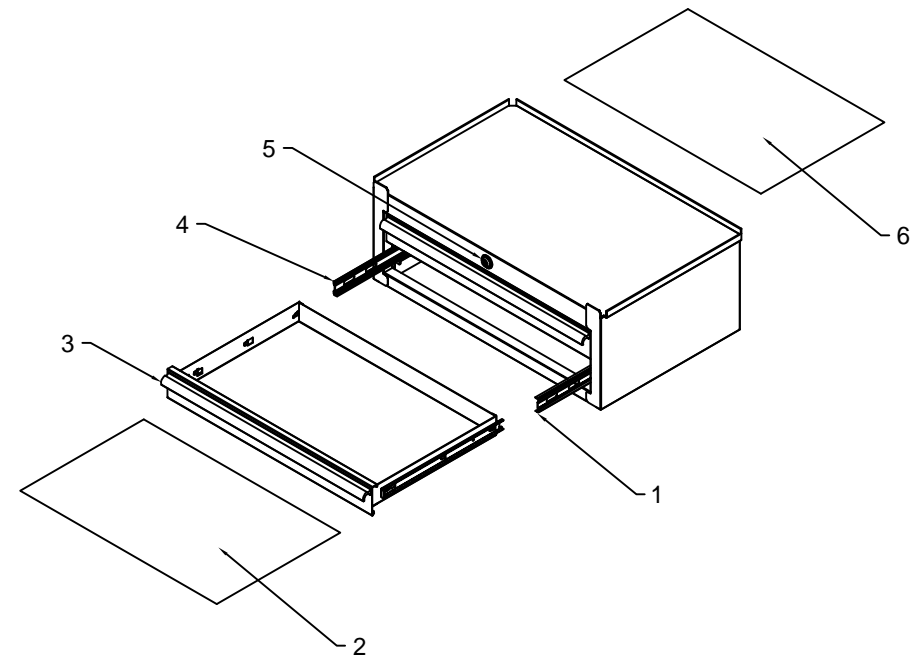
. 3 .

Middle

 " The keys are taped to the top storage area of the box."

PARTS LIST

Ref#	Description	Part#	Qty
1	Slide(R)	300177	2 pcs
* 2	Drawer Liner	552336	2 pcs
** 3	Drawer Pull	3011016	2 pcs
4	Slide(L)	300176	2 pcs
*** 5	Lock	304071	1 pc
**** 6	Top Liner	552338	1 pc



Numbers of colored parts:

Description	White	Green
* Drawer Liners	552336	552012
** Drawer Pull	3011016	301249
*** Lock	304071	304072
**** Top Liner	552338	552350

NOTE

1. Replacement keys may be ordered, the code which appears on the face of the lock required.
2. Give the information for service parts: part number, and quantity.

. 4 .