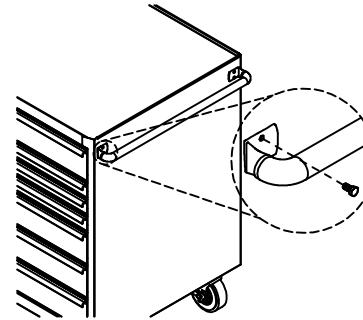


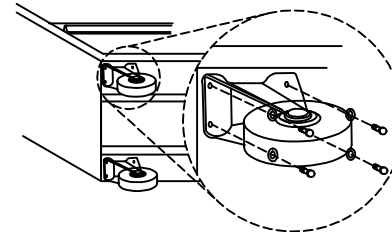
FIRST INSTALL HANDLES

Simply position the handles over the holes and attach with the bolts provided. Tighten securely.



SECOND INSTALL CASTERS

Carefully lay bottom cabinet on its back, with a soft mat under the back for protection. Position the two swivel casters on the bottom of the cabinet. Insert the bolts through washers, then through the casters and into the bottom of the cabinet. Tighten securely. Repeat for the two rigid casters on the other side of the cabinet.

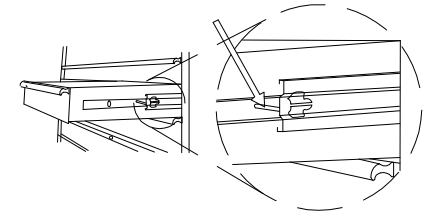


TO REMOVE AND REPLACE DRAWERS

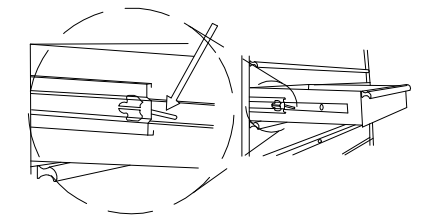
TO REMOVE DRAWERS

Pull drawer out so it's almost fully extended. Push up one hand black release lever, while pulling down the other hand black release lever. While holding the levers in the positions as instructed above, pull the drawer outward until it is released from the drawer slide.

PUSH UP
(ONE HAND SIDE LEVER)



PUSH DOWN
(THE OTHER HAND SIDE LEVER)




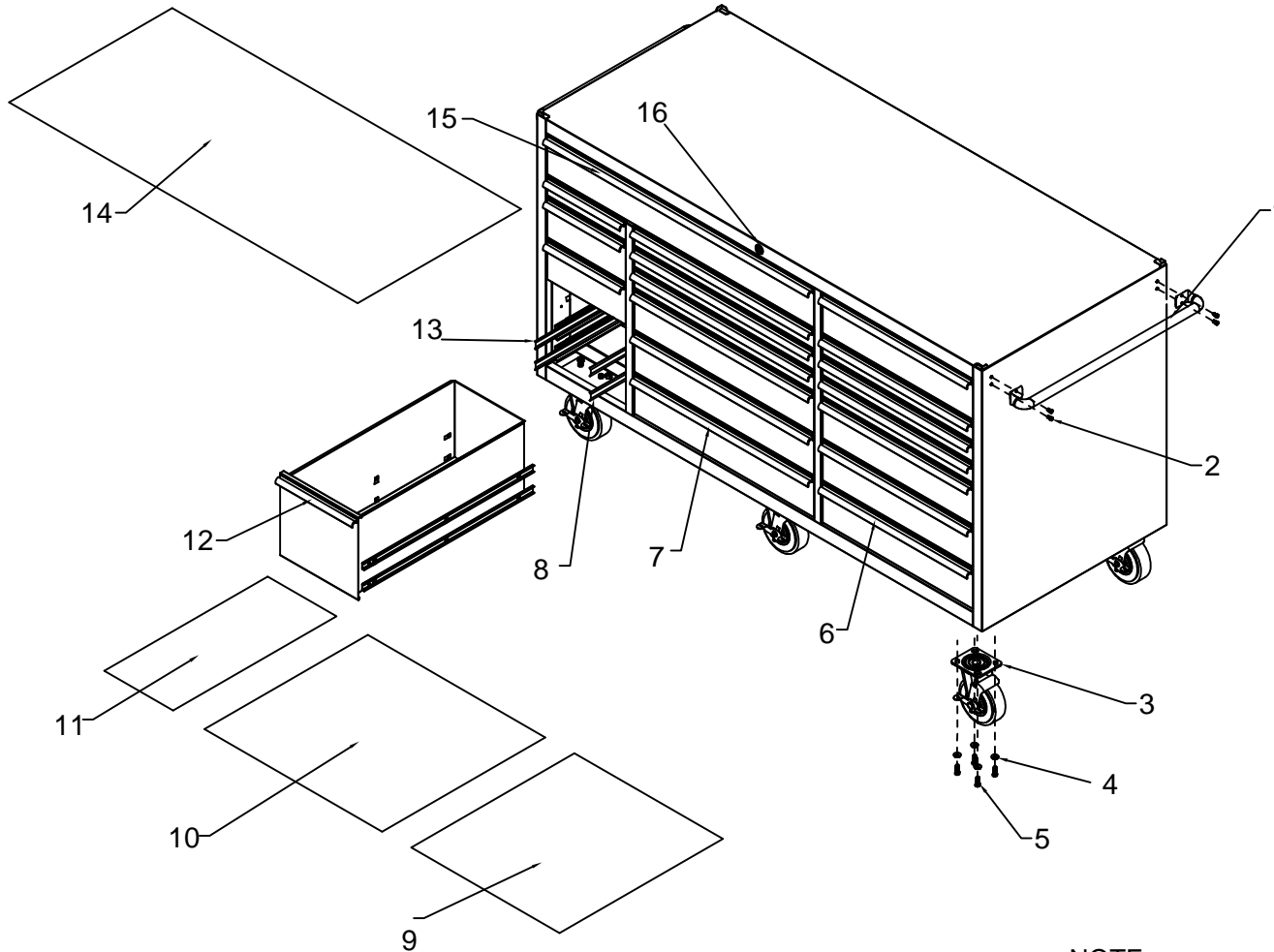
TO REPLACE DRAWERS

Extend the drawer slides from the tool chest/cabinet. Insert the brackets on each side of the drawer into the slots in the slides, being careful that they are positioned properly. Once properly inserted, completely close the drawer / work top to set the slides in their proper positions.

Cabinet

PARTS LIST

 " The keys are taped to the inside of first drawer of the cabinet."



Ref#	Description	Part#	QTY
1	Cabinet Handle	306070	2 pcs
2	M6x12 Hex Bolt	323062	8 pcs
3	Swivel Caster	302002	6 pcs
4	Washer	324000	24 pcs
5	M8x25 Hex Bolt	321047	24 pcs
6	Drawer Pull(R)	301002	7 pcs
7	Drawer Pull(M)	301006	6 pcs
8	Slide(R)	300013	20 pcs
9	Drawer Liner(R)	550457	7 pcs
10	Drawer Liner(M)	550458	6 pcs
11	Drawer Liner(L)	550459	4 pcs
12	Drawer Pull(L)	301000	4 pcs
13	Slide(L)	300012	20 pcs
14	Drawer Liner	550460	1 pc
15	Drawer Pull	301014	1 pc
16	Lock	304071	1 pc

NOTE

1. Replacement keys may be ordered, the code which appears on the face of the lock required.
2. Give the information for service parts: part number, and quantity.