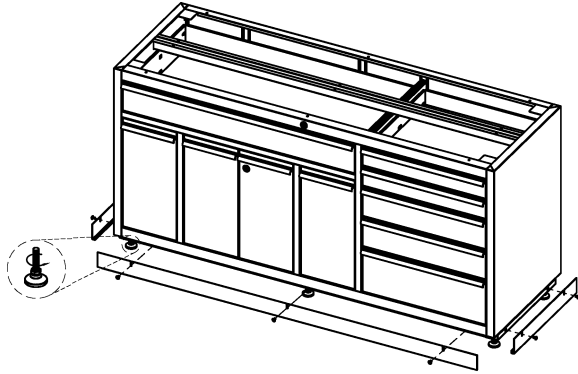


## ASSEMBLY INSTRUCTIONS

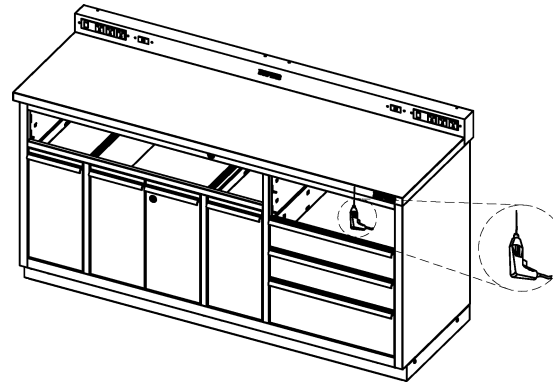
### 1. ADJUST LEVELER

Remove the kick plates. Adjust the levelers to make the cabinet stable. Reinstall the kick plates.



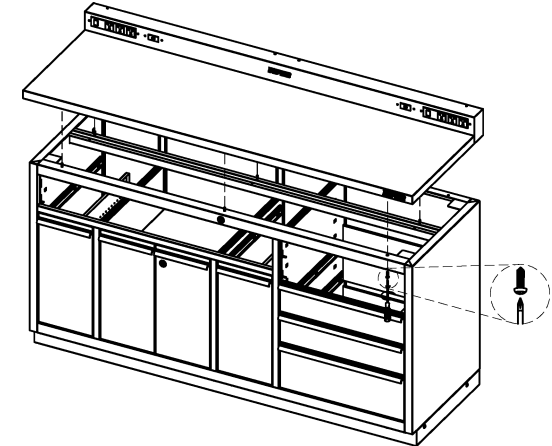
### 2. PRE-DRILL HOLES OF SS WORKTOP

Draw out the top drawers of cabinet. Pre-drill 6 small holes under the SS worktop for easy installing.



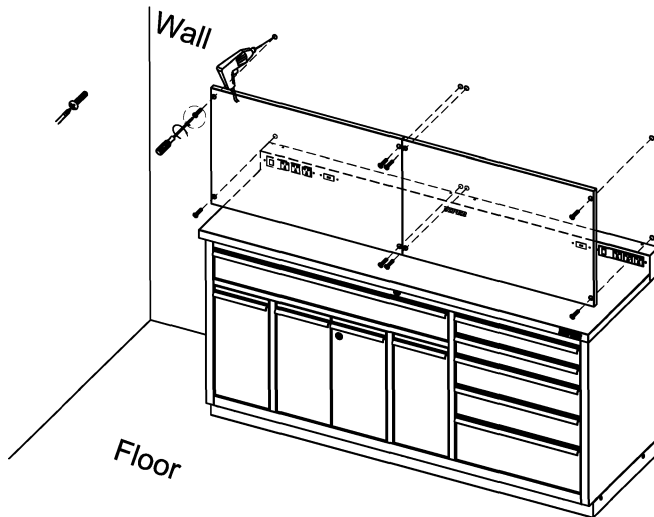
### 3. INSTALL SS WORKTOP

Position the SS worktop on the cabinet. Insert wood screws through the top of cabinet and into the bottom of the SS worktop. Tighten securely. Reinstall the drawers. Connecting power before using the power device of worktop.



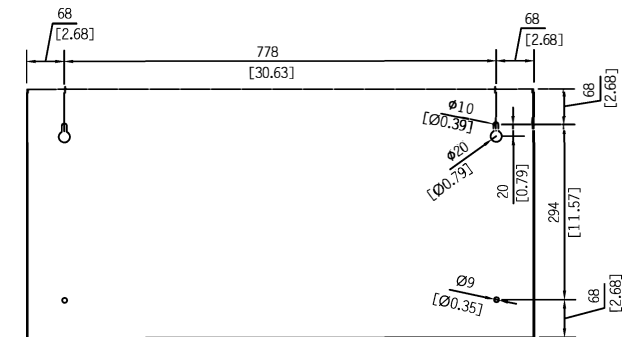
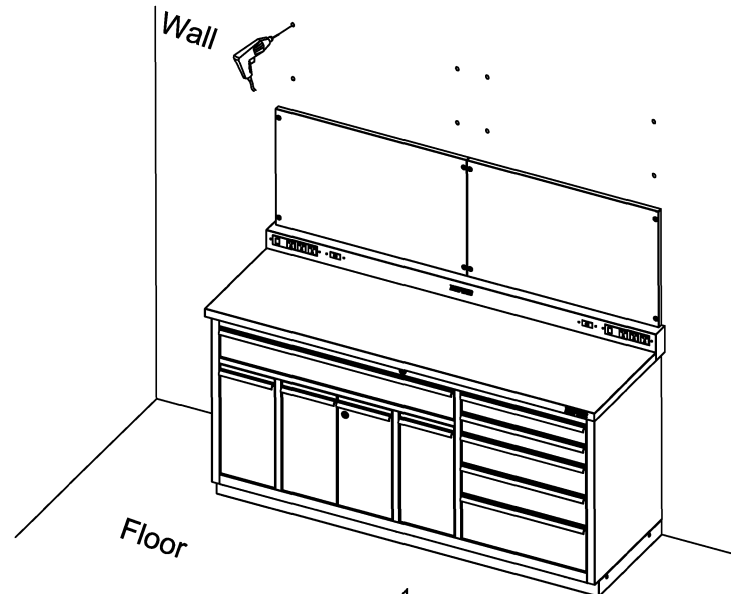
### 4. INSTALL BACK WALL

Pre-drill 8 small holes on the wall for easy installing. Simply position the back wall on the top of SS worktop. And then use the M6x35 Wood Screws to make sure the back walls are fixed in position.



### 5. INSTALL WALL CABINET

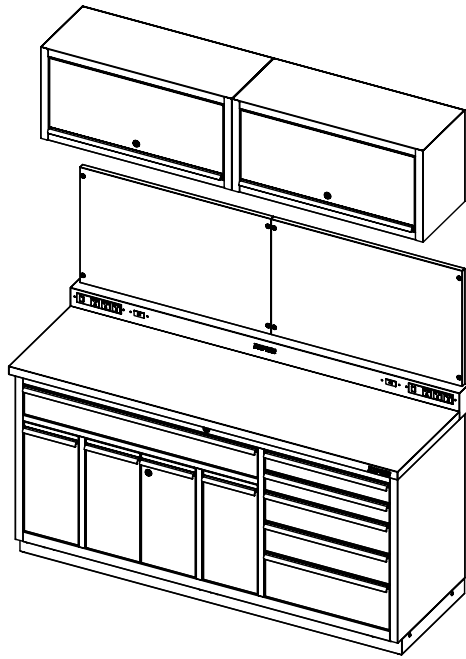
▪According to the dimensions of wall cabinet, mount the anchor bolts to the holes in the wall.



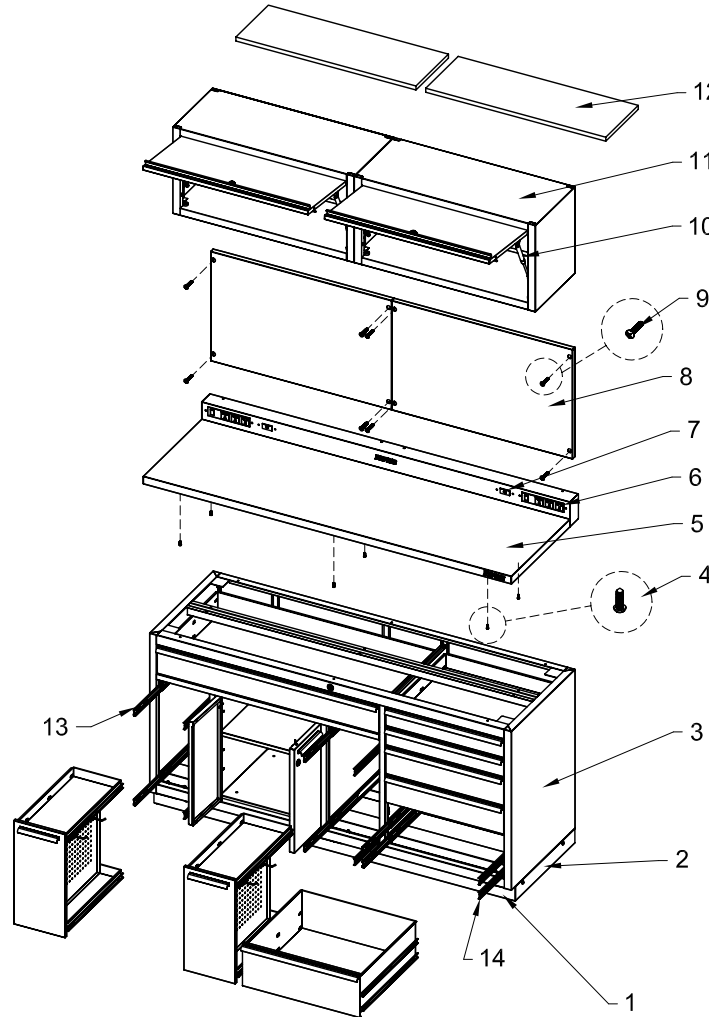
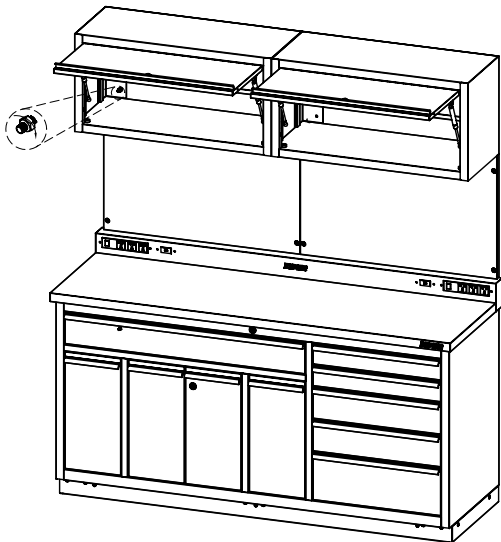
Back view of wall cabinet  
Dimension Units:mm[inch]

# Pro72" Painted steel Work Station Installation Manual

Place wall cabinets on the wall carefully.



Fasten the nuts from wall cabinet inside.



## PARTS LIST

Ref#	Description	Part#	QTY
1	72" Kick Plate	205561	1 pc
2	Side Kick Plate(R)	205563	1 pc
	Side Kick Plate(L)	205562	1 pc
3	72"8-Drawer Cabinet	KB720801T	1 pc
4	M6x25 Wood Screw	320010	6 pcs
5	Worktop	103146	1 pc
6	Power strip(for worktop)	333023	2 pcs
7	USB(for worktop)	333015	2 pcs
8	Pegboard	103900	2 pcs
9	M6x35 Wood Screw	320170	8 pcs
10	Gas Strut	303091	4 pcs
11	36" Wall Board	103147	2 pcs
12	Shelves	205404	2 pcs
13	Slide(L)	300064	12 pcs
14	Slide(R)	300065	12 pcs