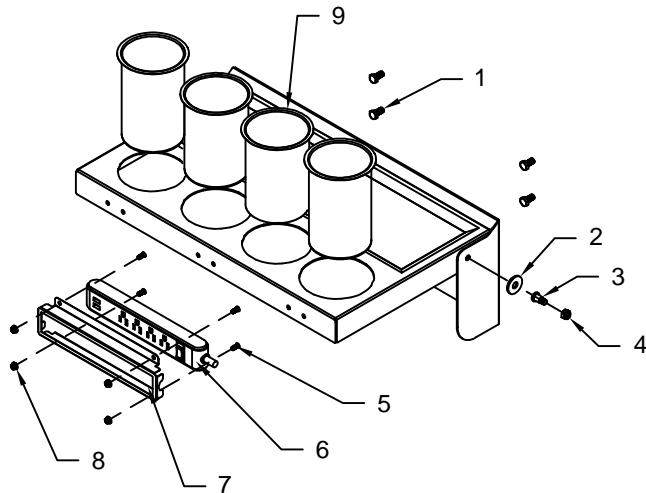


Steel Side Shelf Manual

PARTS LIST

Ref#	Description	Part#	QTY
1	M6x12 Hex Bolt	321051	4 pcs
2	Washer	324039	2 pcs
3	M6x15 Counter Sink Screw With Post	320042	2 pcs
4	M6 Hex Nylon Locknut	323113	2 pcs
5	M5x12 Counter Sink Screw	320046	4 pcs
6	Power Strip	333059	1 pc
7	Bracket	241271	1 pc
8	M5 Hex Flange Nuts	323120	4 pcs
9	Aluminum Cup	312056	4 pcs



NOTE

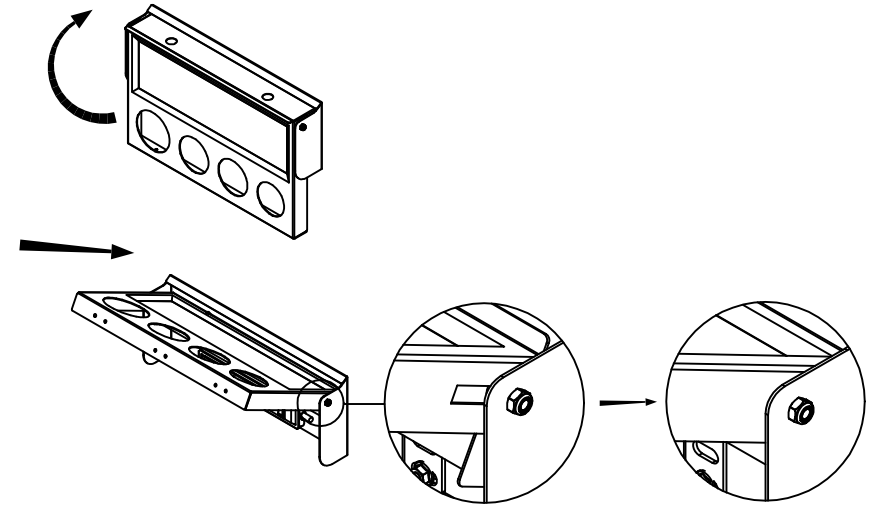
1. Give the information for spare parts: part number, and quantity.

. 1 .

ASSEMBLY INSTRUCTIONS

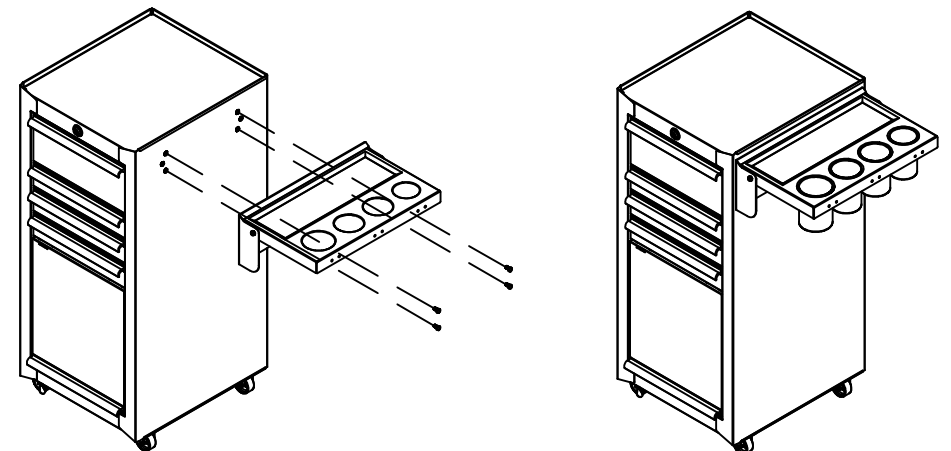
■ FIRST

Lift up the work platform and slide to the suitable position and fix it to keep the platform in level.



■ SECOND

Attach the side shelf to the cabinet(not included in the product) with M6x12 Hex Bolt and fasten it. And then put the Aluminum Cups into the platform holes.



. 2 .