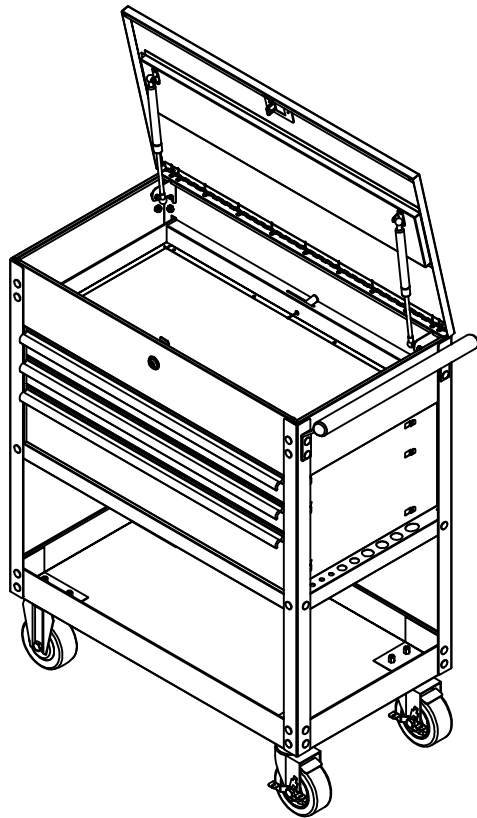


**PAINTED STEEL CART MANUAL**



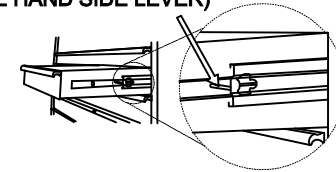
. 1 .

**TO REMOVE AND REPLACE DRAWERS**

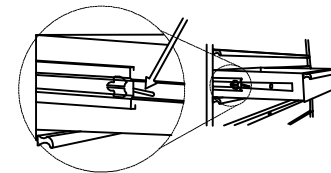
**TO REMOVE DRAWERS**

Pull drawer out so it's almost fully extended. Push up one hand black release lever, while pushing down the other hand black release lever. While holding the levers in the positions as instructed above, pull the drawer outward until it is released from the drawer slide.

**PUSH UP  
(ONE HAND SIDE LEVER)**



**PUSH DOWN  
(THE OTHER HAND SIDE LEVER)**

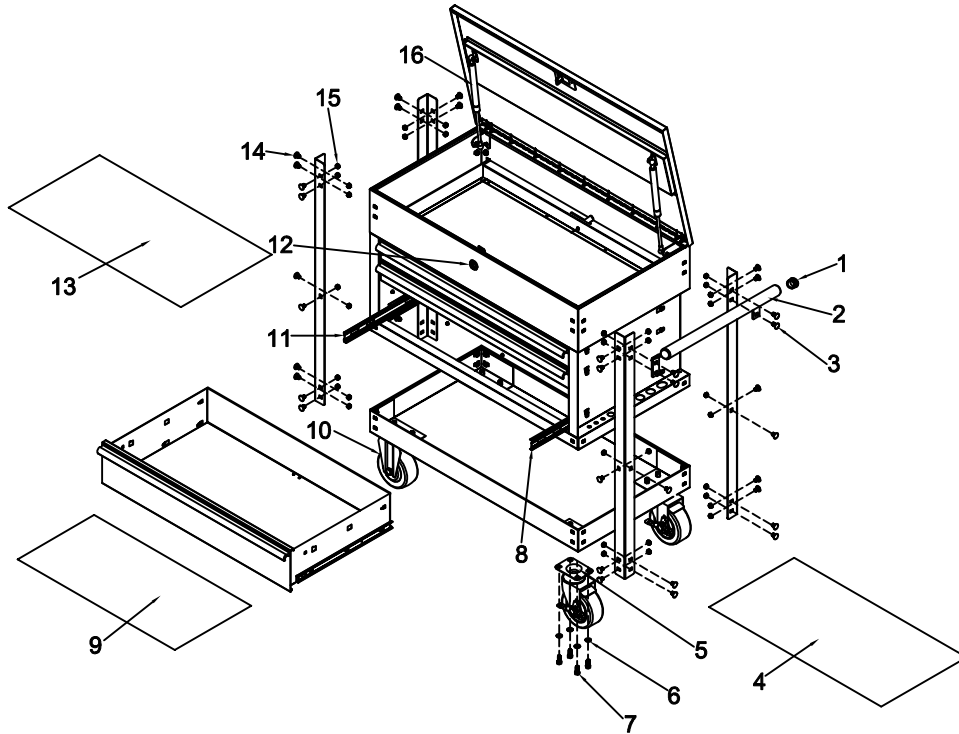


**TO REPLACE DRAWERS**


Extend the drawer slides from the tool cabinet. Insert the brackets on each side of the drawer into the slots in the cabinet slides, being careful that they are properly positioned. Once properly inserted, completely close the drawer to set the slides in their proper positions.

. 2 .

**PAINTED STEEL CART MANUAL**



**PARTS LIST**

 " The keys are put inside the large drawer.

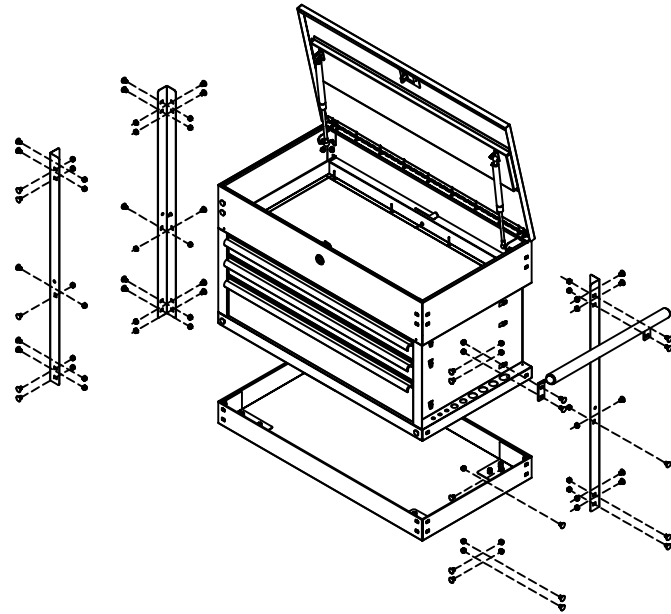
Ref#	Description	Part#	QTY
1	End Cap	314038	2 pcs
2	Side Handle	117943	1 pc
3	M8x16 Round Head Square Neck Bolt	321000	4 pcs
*** 4	Bottom Tray Liner	551882	1 pc
5	Swivel Caster with brake	302004	2 pcs
6	Washer	324008	16 pcs
7	M8x20 Hex Bolt	321024	16 pcs
8	Slide(R)	300001	3 pcs
* 9	Drawer Liner(Black)	551880	3 pcs
10	Swivel Caster	302005	2 pcs
11	Slide(L)	300000	3 pcs
**** 12	Lock(Black)	304071	1 pc
** 13	Till Liner(Black)	551881	1 pc
14	M8x12 Round Head Square Neck Bolt	321205	36 pcs
15	M8 Hex Nylon Locknut	323009	40 pcs
16	Gas Strut	303185	2 pcs

**NOTE**

1. Replacement keys may be ordered, the code which appears on the face of the lock required.
2. Give the information for service parts: part number, and quantity.
3. Numbers of colored parts:

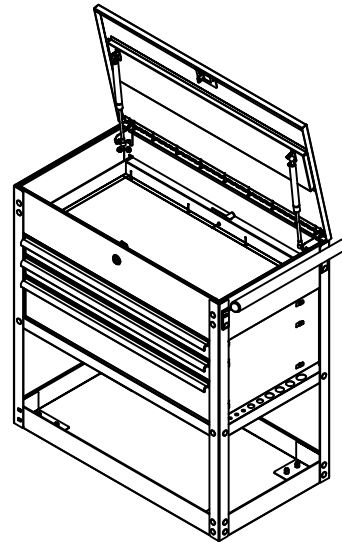
Description	Black/White	Pink	Green	Purple	Blue	Orange
* <b>Drawer Liners</b>	551880	551912	551915	551918	551921	551924
** <b>Till Liners</b>	551881	551913	551916	551919	551922	551925
*** <b>Bottom Tray Liners</b>	551882	551914	551917	551920	551923	551926
**** <b>Lock</b>	304071	304070	304072	304084	304076	304077

## ASSEMBLY INSTRUCTIONS

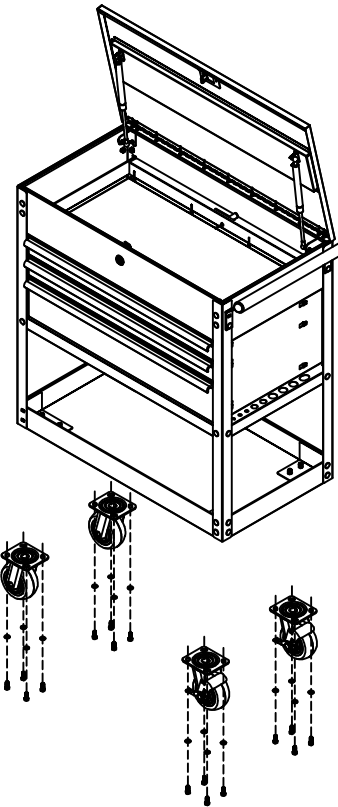


### 1. INSTALL PILLARS, BOTTOM TRAY, SIDE HANDLES

- Position the pillars over the holes on the upper part of the cart, attach with the provided M8X12 round head square neck bolts and M8 hex nylon locknuts, and tighten them.
- Position the bottom tray to the bottom part of the pillar, and attach them together with the provided M8X12 round head square neck bolts and M8 hex nylon locknuts, and tighten them.
- Position the handles over the holes and attach with the provided M8X16 round head square neck bolts, and M8 hex nylon locknuts. Tighten securely.

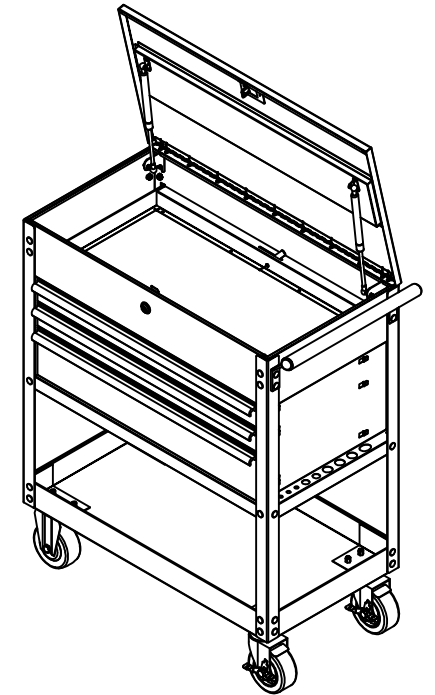
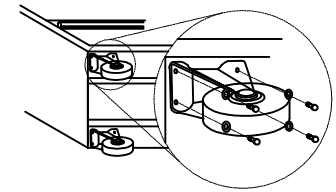


. 5 .



### 2. INSTALL CASTERS

Carefully lay bottom cart on its back, with a soft mat under the back for protection. Position the two swivel with brake casters on right side of the bottom of the cart. Insert the M8x20 hex bolts through washers, then through the casters and into the bottom of the cart. Tighten securely. Repeat for the two swivel casters on the other side of the cart.



. 6 .